

Data subject to change without prior notice
Edition 10/2022 © 2022 JMG Cranes S.p.A. All rights reserved
Rev. 2 - 10/22



Electric Pick & Carry Cranes

JMG Cranes S.p.A.

Sales & Service Office

Via Bergamo, 142

26100 Cremona - Italy

t +39 0372 1786738

Production Plant

Via Zuccherificio 2

29010 Sarmato (PC) - Italy

t +39 0523 8486

e info@jmgcranes.com



MC 250 (metric)
Max Capacity 25,000 kg

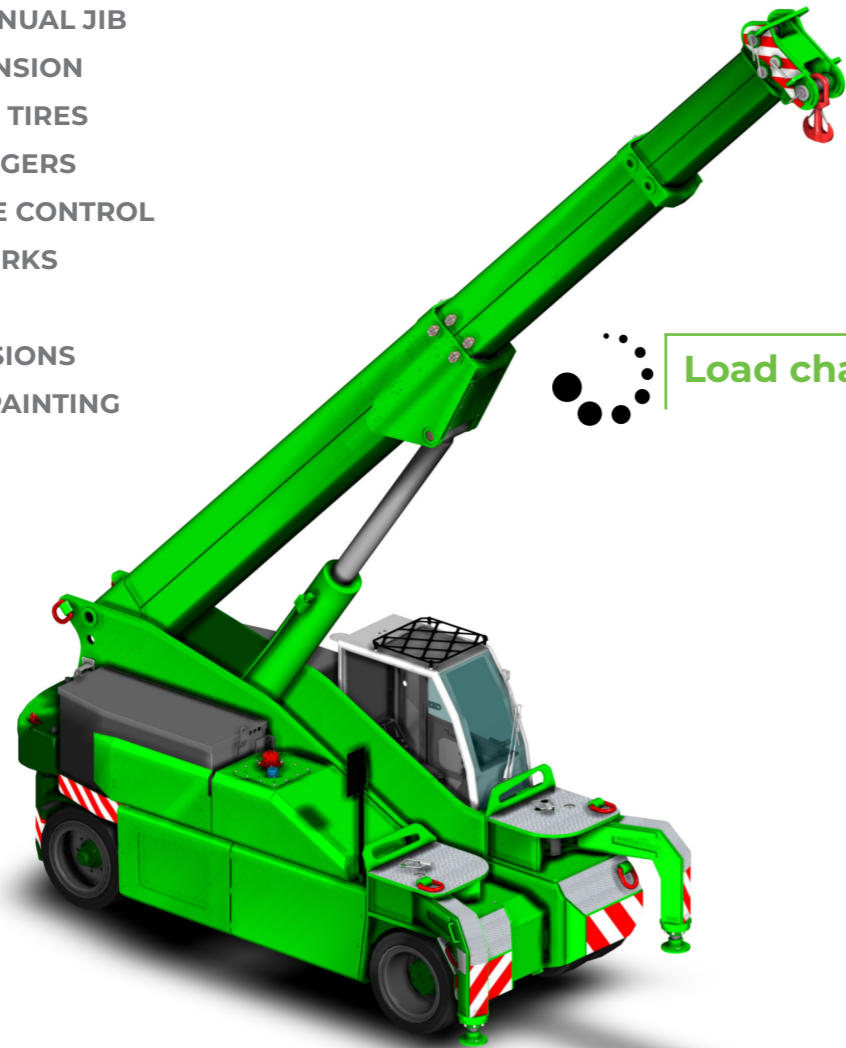
www.jmgcranes.com

JMG[®]
movetosolution

PROPORTIONAL TELESCOPIC BOOM
FRONT-WHEELS DRIVE WITH COUNTER ROTATION
REMOVABLE COUNTERWEIGHTS

Options :

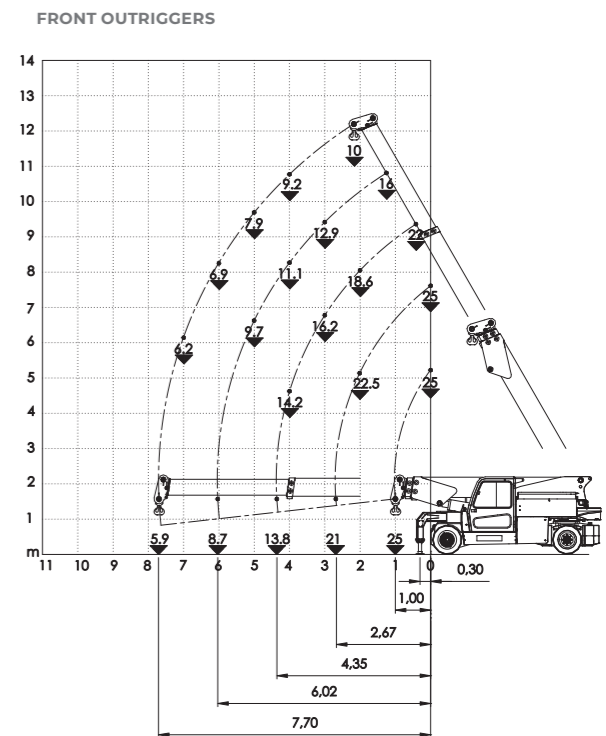
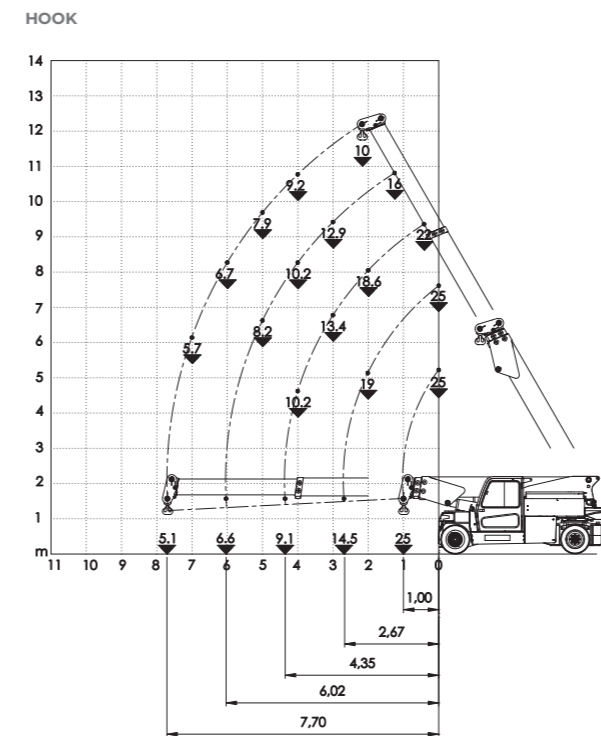
- HYDRAULIC WINCH
- HYDRAULIC JIB
- HYDRAULIC EXTENSION
- BENDABLE MANUAL JIB
- MANUAL EXTENSION
- NON-MARKING TIRES
- FRONT OUTRIGGERS
- RADIO REMOTE CONTROL
- HYDRAULIC FORKS
- MAN BASKET
- ATEX CONVERSIONS
- CUSTOMIZED PAINTING



Technical features

Max Capacity kg	25,000	Front-wheels drive. 2 electric motors AC 12 kW 96V Insulation class H	LMI. Electronic safe load indicator and tilting moment limiter
	Dimensions mm	4770X2150X2200	Total Kg. 28,250 Removable counterweights Kg. 6,220
		96 V - 1125 Ah 8 working hours	Fabricated from preformed and welded quality steel plate
	Front nr. 4 superelastic 355/50-20" Rear nr. 2 superelastic 355/50-20"	+60°/-7°	Motor driven pump 1x16 kW - 96 V AC.
	Rear Steering angle -90°/+90°		

Load charts



EU Standards CE

	UNI ISO 4301-1: A1
	2006/42 CE-2014/30 UE-2014/35 UE- 2000/14 and subsequent modifications
	EN 13000:2014 ANSI/ASME B30.5-2011 and subsequent modifications

Dimensions

