

Data subject to change without prior notice
Edition 10/2022 © 2022 JMG Cranes S.p.A. All rights reserved
Rev. 2 - 10/22

JMG Cranes S.p.A.

Sales & Service Office

Via Bergamo, 142

26100 Cremona - Italy

t +39 0372 1786738

Production Plant

Via Zuccherificio 2

29010 Sarmato (PC) - Italy

t +39 0523 8486

e info@jmgcranes.com



Electric Pick & Carry Cranes



MC 700MT (metric)

**Max Capacity
70.000 kg**

www.jmgcranes.com

JMG[®]
movetosolution

MC 700MT

DOUBLE HYDRAULIC BOOM WITH SEQUENTIAL 3-SECTIONS EXTENSION

FRONT-WHEELS DRIVE WITH COUNTER ROTATION

EXTENDABLE REAR GROUP WITH REMOVABLE COUNTERWEIGHTS

Optionals:

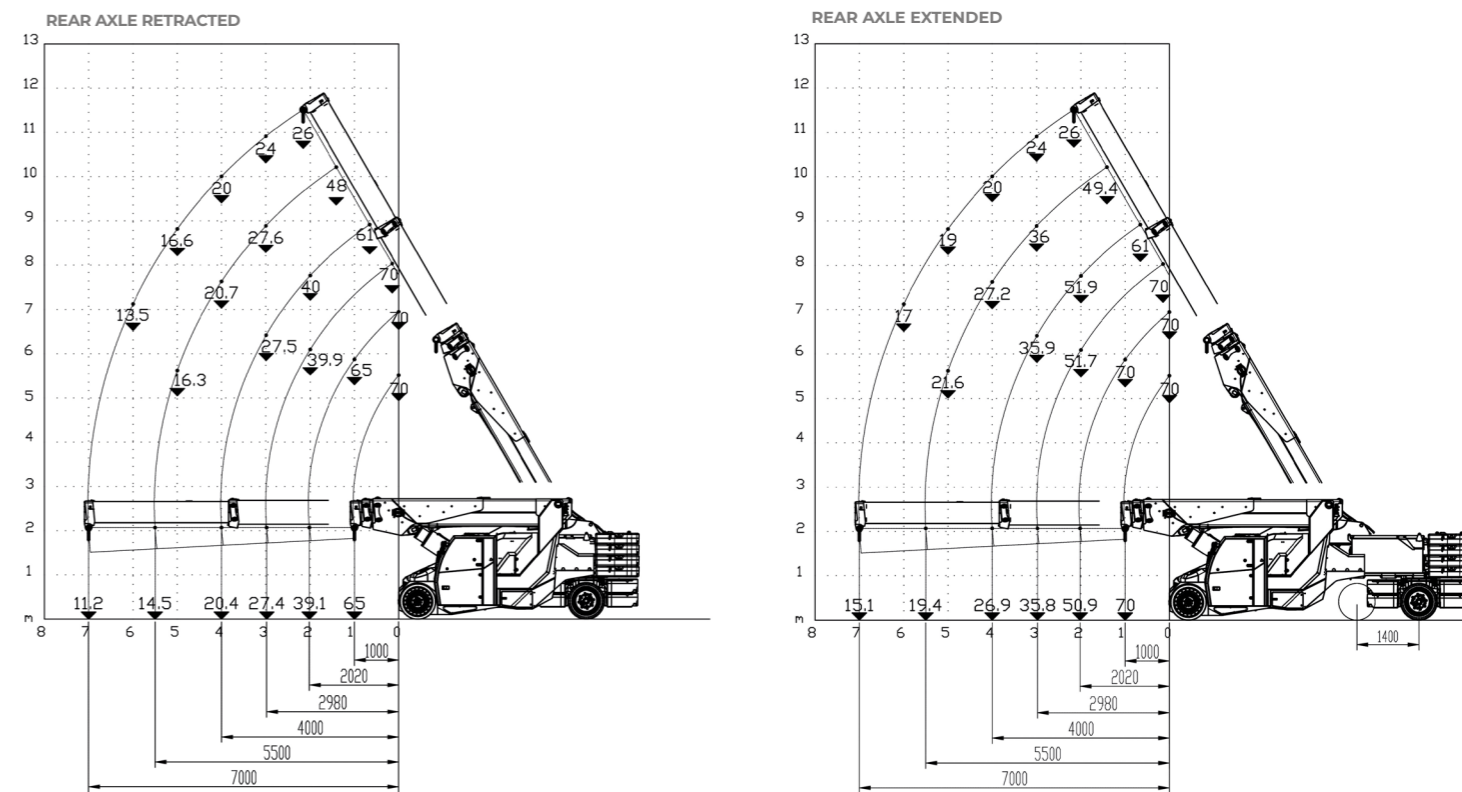
- RADIO REMOTE CONTROL
- CUSTOMIZED PAINTING



Technical features

Max Capacity kg	70.000	LMI	Electronic safe load indicator and tilting moment limiter
	Dimensions mm		5400x2390x2750
		Front-wheels drive. N°2 electric motors AC 12 kW 96V AC. Insulation class H	Fabricated from preformed and welded quality steel plate
	Total Kg. 45.300 Removable counterweights Kg. 18.160	96 V - 1720 Ah 8 working hours	+60°/-3°
	Front n.4 polyurethane 800x410x674" Rear n.4 superelastic 355/50-20"	Rear drive with hydraulic steering and 45 kW dedicated pump. Steering angle -90°/+90°	Motor driven pump. 2x45 kW - 96 V AC. Insulation class H

Load charts



EU Standards CE

	Classification UNI ISO 4030-1: A3
	EU Standards CE 2006/42 CE MD-2014/30 CE EMC - 2014/35 CE LVD - 2000/14 and subsequent modifications
	Relevant regulations EN 13000:2014 UNI ISO 4301-2:2011 and subsequent modifications

Dimensions

